

Tobacco ridger machine

ToRi

TOBACCO RIDGER

ToRi

TR 2





WHAT IS ToRi?

ToRi is machine intended for tobacco ridging operations.

HOW DOES ToRi WORKS?



Working parts collect soil and earthen up stems of the plants by burrowing it with soft soil.

Side shields protects vegetative part of the plant from being burrowed.



BENEFITS OF USING

- **Facilitate the soil oxygenation**
- **Leaves plant well earthed up**
- **Performs operation of preparation for the following harvester passage**
- **Low demand regarding tractor power**
- **Improves yield**
- **Working depth regulated mechanically**
- **Wearable parts are easily replaceable**

➤ Adaptable height of side shields



TO Ri MACHINE FEATURES

- Fits machines with Cat 1 and 2, 3-Point hook-up
- Elements of the machine are made in welded version
 - Robust construction
 - Easy and simple handling and set up
 - High work effect

MACHINE MODELS



Tobacco ridger
ToRi TR 2 b



Tobacco ridger
ToRi TR 2



Tobacco ridger
ToRi TR 2 Mb



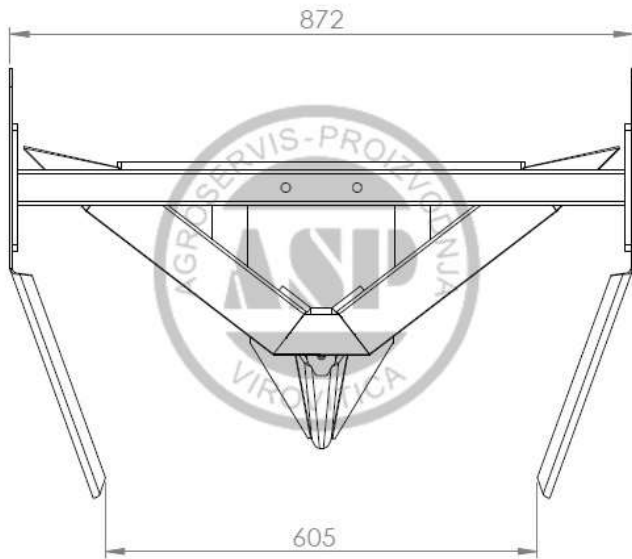
Tobacco ridger
ToRi TR 2 M



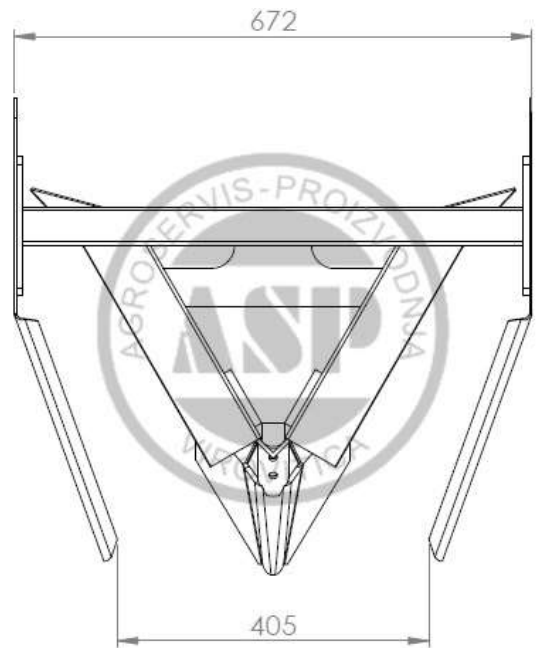
MACHINE MODELS



Working parts on model TR 2



Working parts on model TR 2 M





ToRi MACHINE MODELS

	TR 2 b	TR 2	TR 2 Mb	TR 2 M
Width (max. mm)	3200	3200	3200	3200
Length (mm)	950	950	950	950
Height (mm)	1010	1010	1010	1010
Mass (kg)	175	225	170	220
Demand. power (HP)	30 - 80			
Working parts No. (pcs)	2	3	2	3
Working parts width (mm)	872	872	672	672
Ridging width (max. mm)	2330	1165	2430	1240

- **Manufactured in Croatia**
- **Machine is of European origin**



Klik ili scan za pregled



If you have any interest of purchasing this machine of ours,
be free to contact us.

Sincerely yours Agroservis - proizvodnja d.o.o. team

Address:

Stjepan Radic street
No. 136
33000 Virovitica
R. Hrvatska /
Croatia

Phone:

+385 (0)99 254 8233

+385 (0)33 730 240

Mr. Kovač Andrej

e-mail:

agroservisproizvodnja.vt@gmail.com

agroservis.proizvodnja@vt.t-com.hr

*All pictures and illustrations shown in this file are for illustration purpose only. Actual product may vary due to product enhancement.